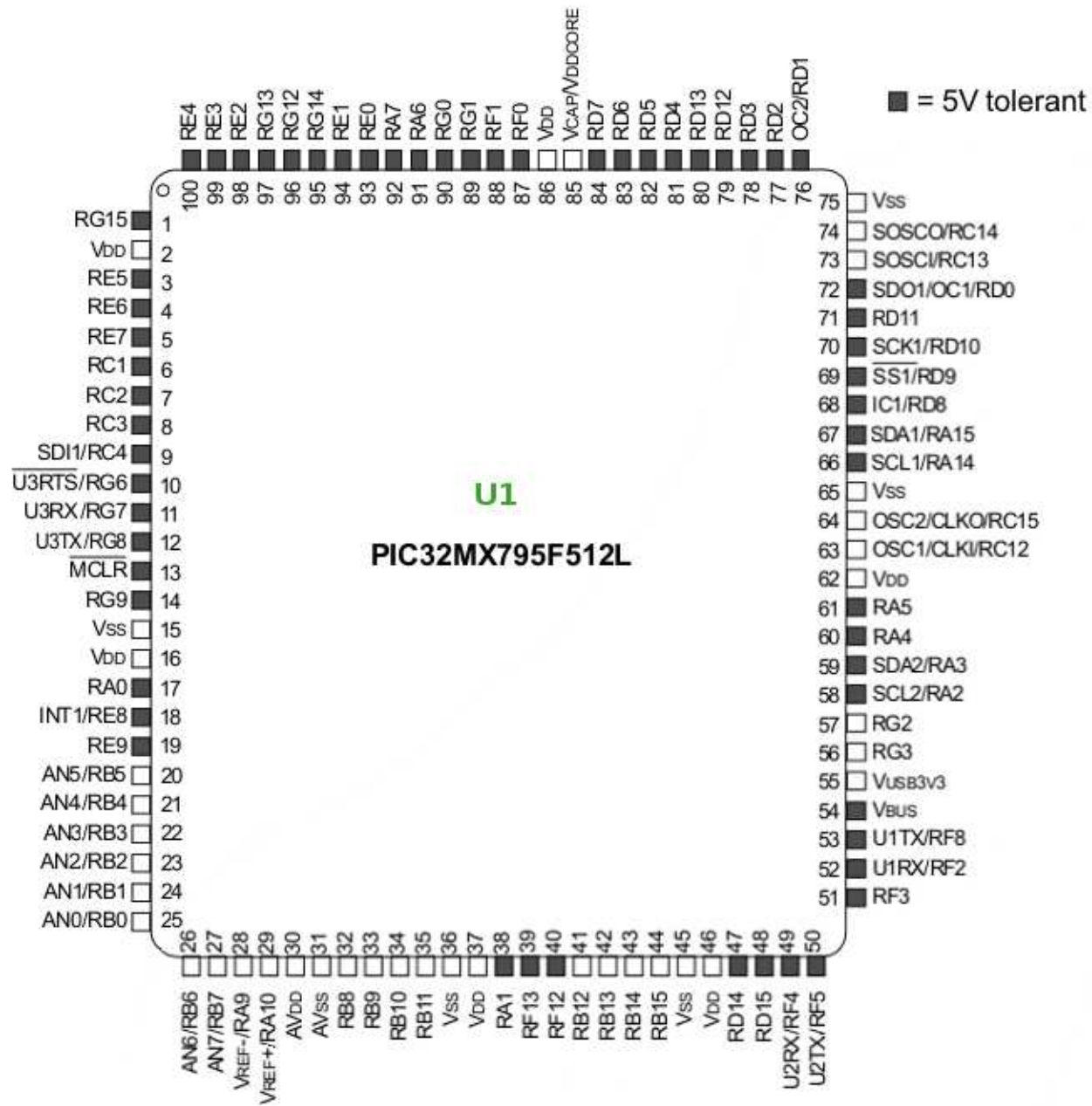
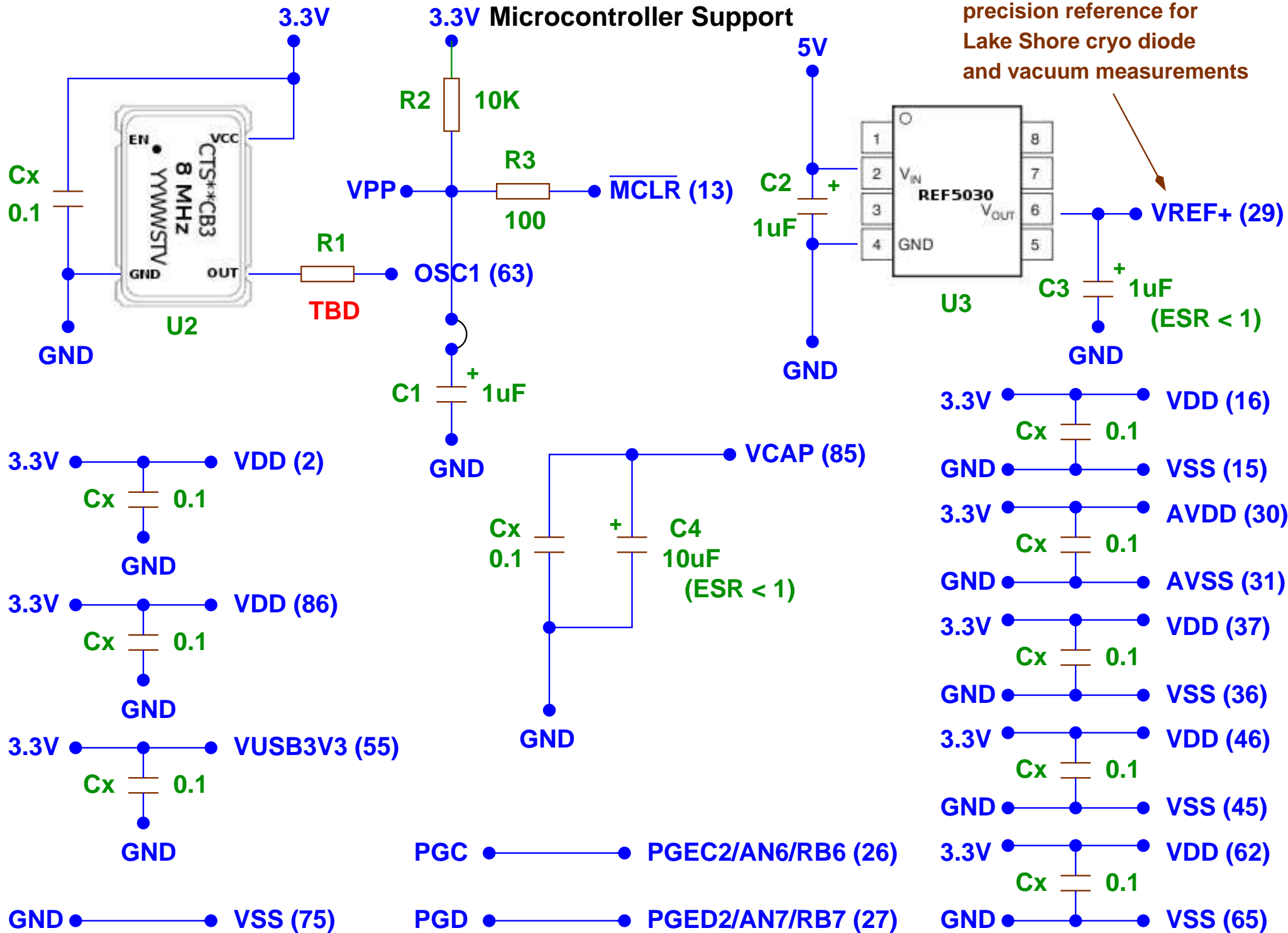
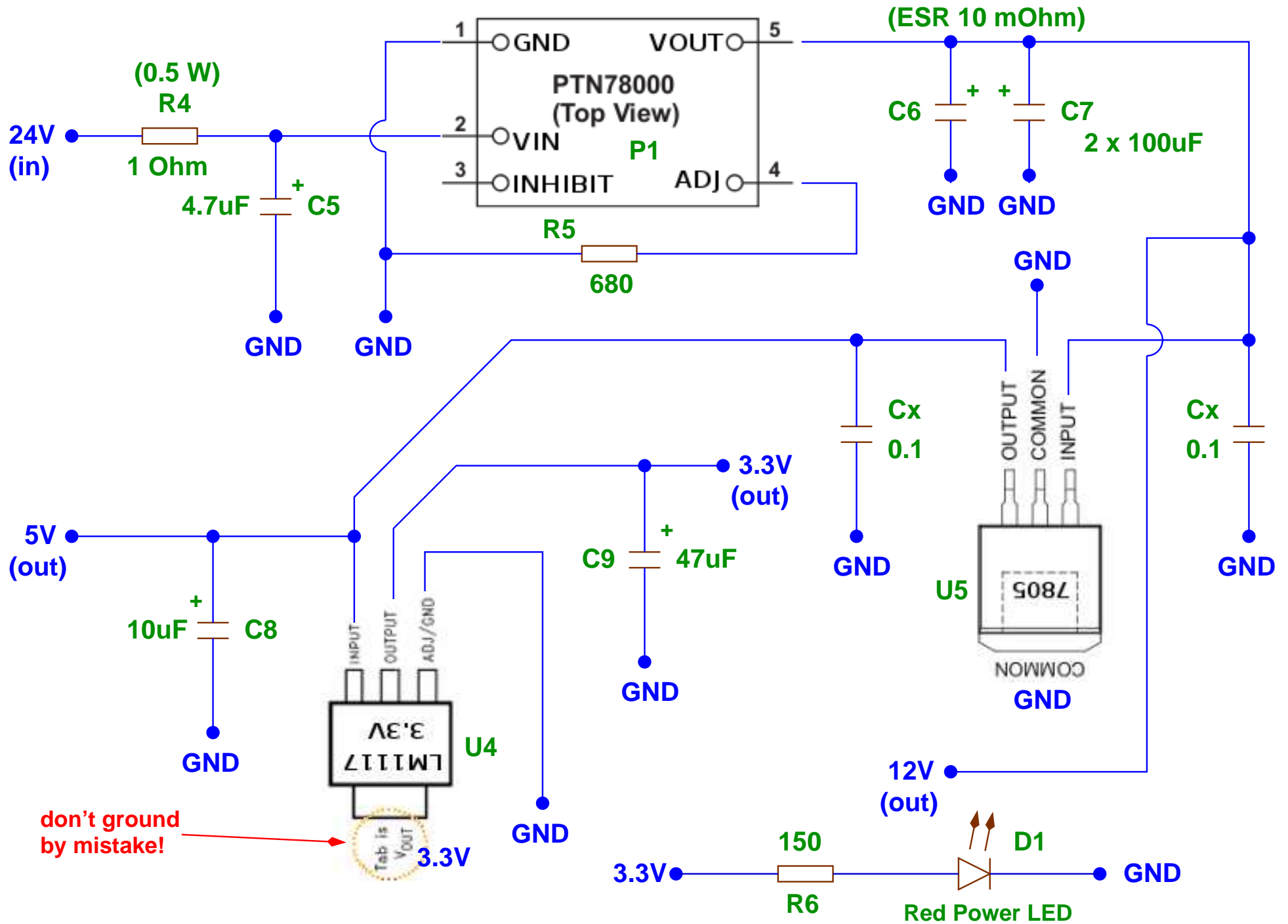


# Microcontroller



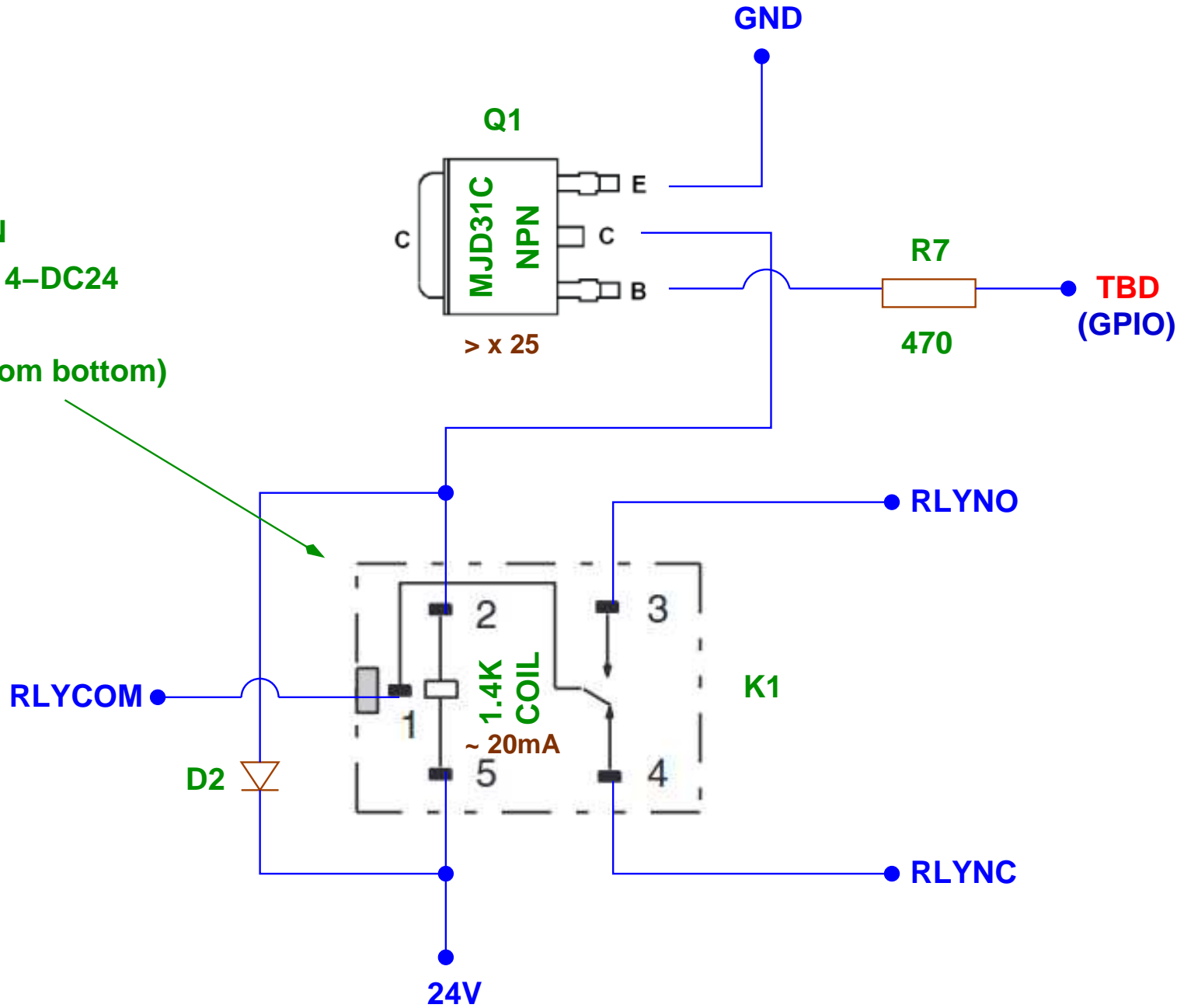


# Power Supply

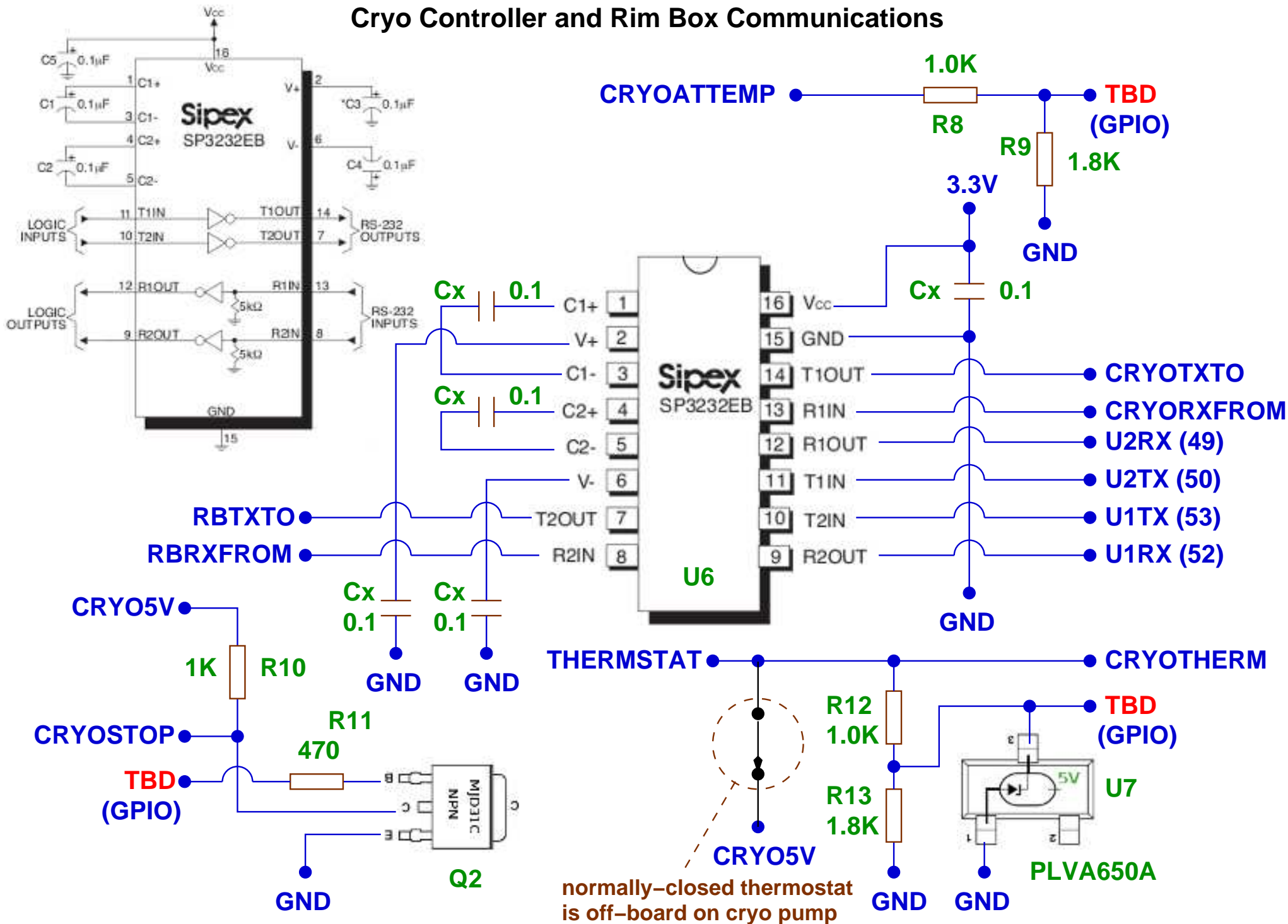


# Relay Circuit

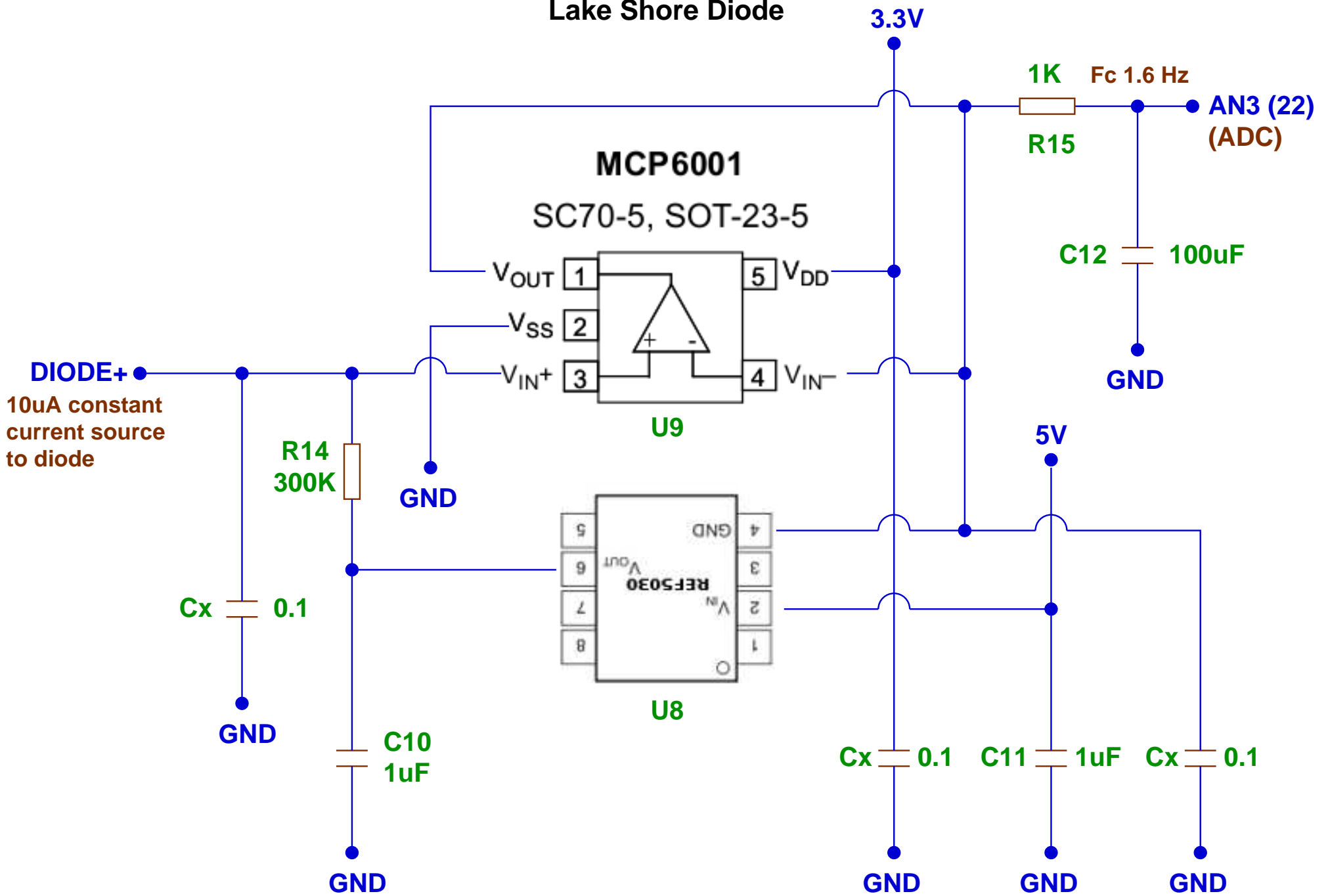
OMRON  
G5LE-14-DC24  
RELAY  
(view from bottom)



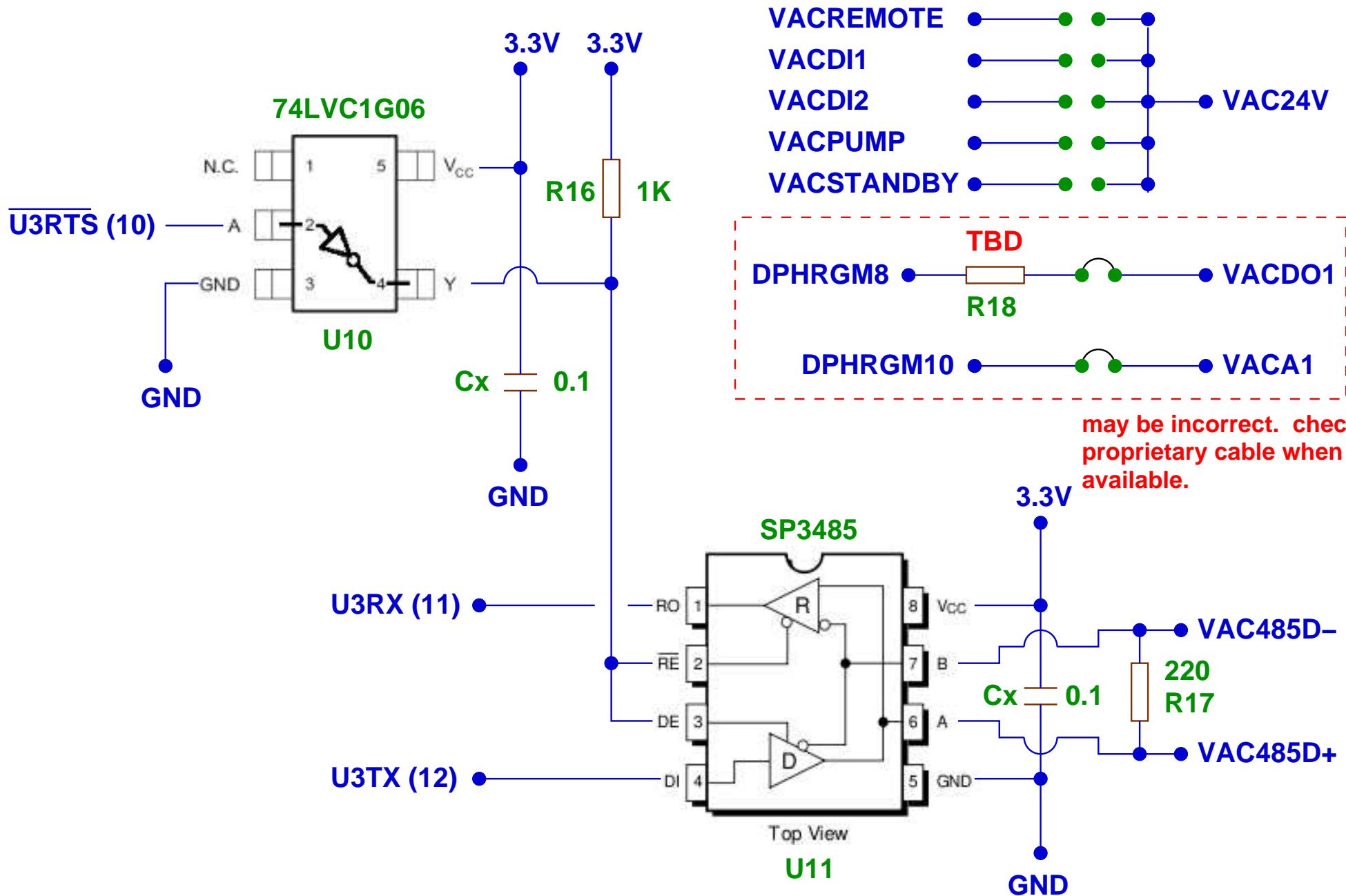
# Cryo Controller and Rim Box Communications



# Lake Shore Diode

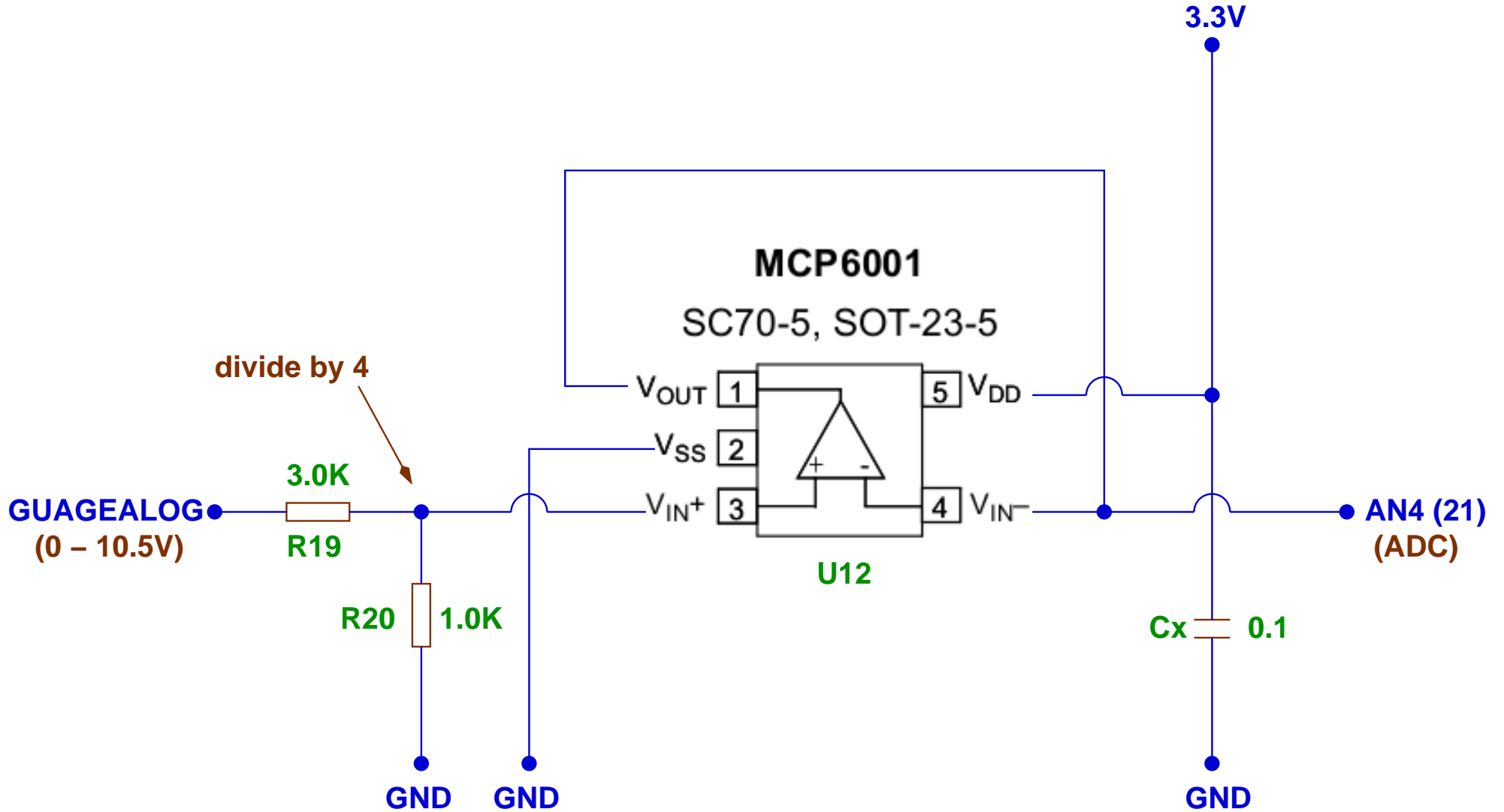


# Vacuum Drive and Diaphragm Pump

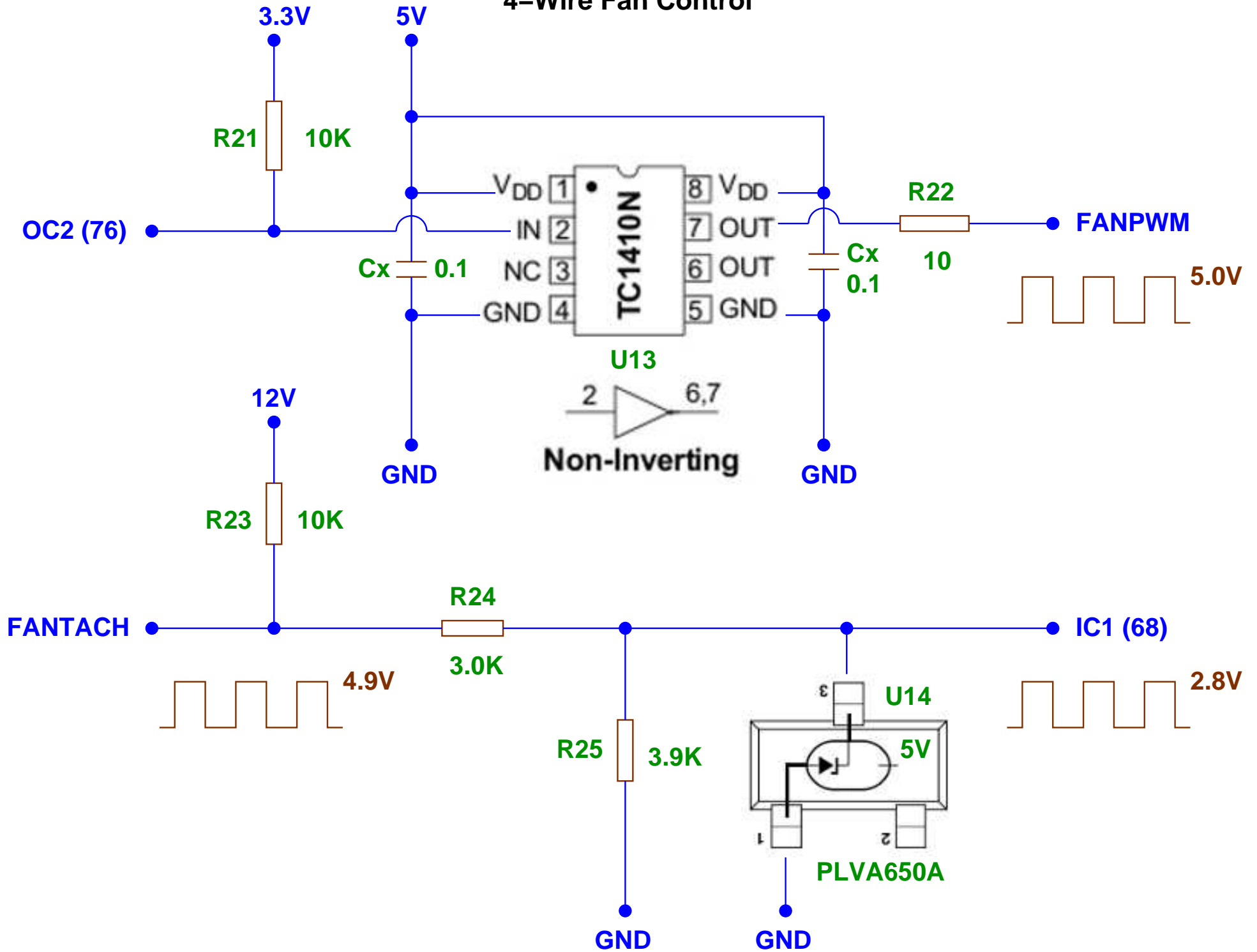




# Vacuum Guage

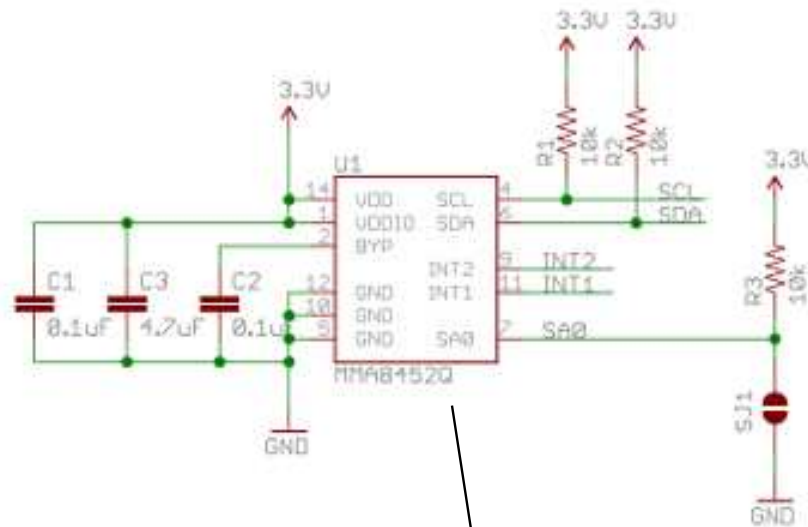
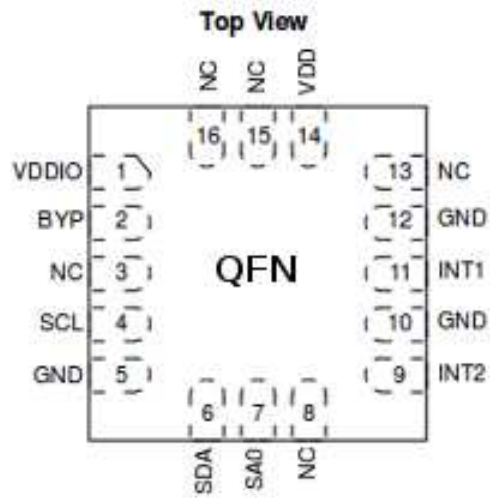


# 4-Wire Fan Control



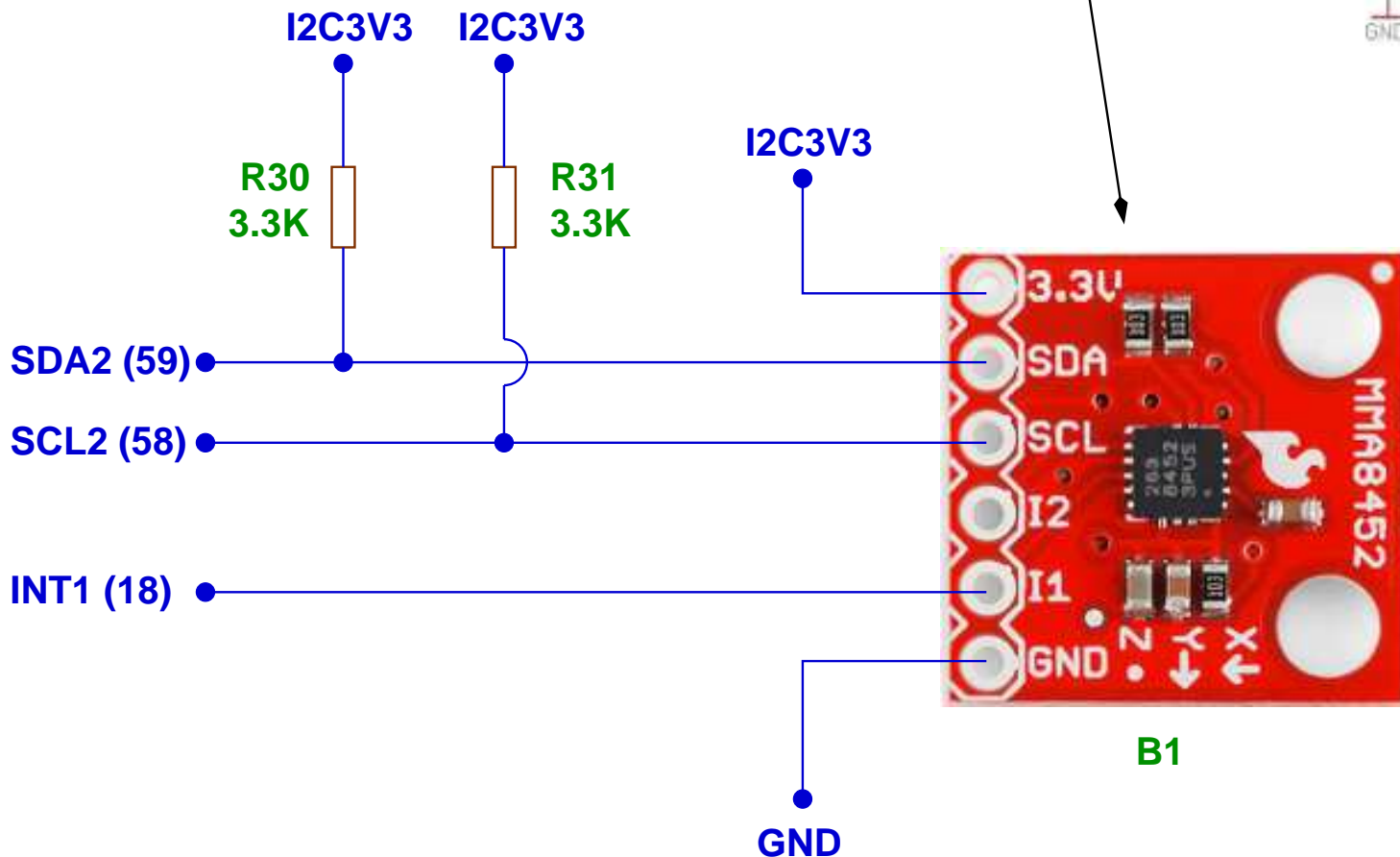


# Accelerometer



Jumper open by default, so SA0 = 1.

I2C Address:  
SA0 = 0: 0x1C  
SA0 = 1: 0x1D



# External Flash Memory

